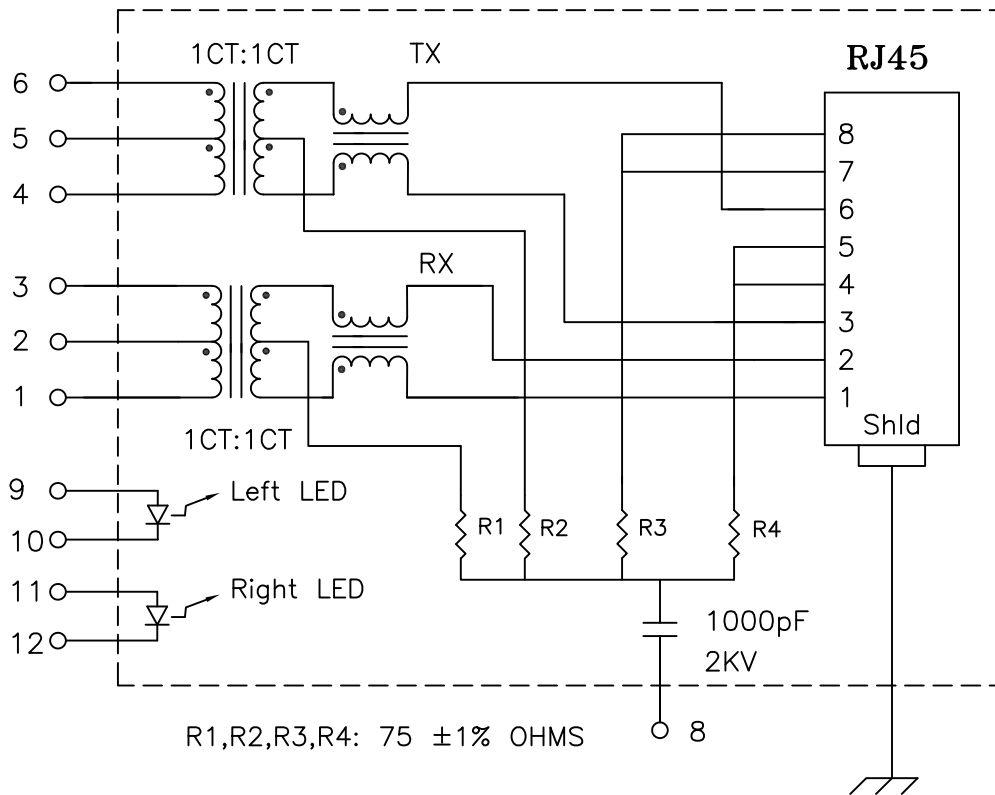


Schematic: (One of Two)



Electrical Specifications: @25°C

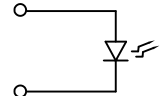
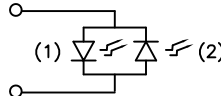
- Isolation Voltage: 1500 Vrms (Input to Output)
- Isolation Voltage: 500 Vrms (P1+2+3 to P4+5+6)
- Turns Ratio: TX 1CT:1CT ±3% RX 1CT:1CT ±3%
- CABLE SIDE OCL: 350uH Minimum @100KHz 100mV 8mADC
- Cw/w: 27pF Typical @100KHz 100mV
- Insertion Loss (300KHz-100MHz): -1.0dB Max
- Return Loss: @30MHz -18dB Minimum
- @80MHz -12dB Minimum
- Q: 5 Min @100KHz 100mV

Complete the Combo P/N as follows:

Replace 'x' & 'u' in the part number with one of the LED color letters:

Y=Yellow 'x' = Left LED Color
 G=Green 'u' = Right LED Color
 A=Amber
 R=Red

C=Green(1)/Amber(2) Bicolor
 D=Amber(1)/Green(2) Bicolor
 M=Green(1)/Yellow(2) Bicolor
 N=Yellow(1)/Green(2) Bicolor
 P=Red(1)/Green(2) Bicolor
 Q=Green(1)/Red(2) Bicolor

Single Color LED:  Bi-Color LED: 

Notes:

1. Solderability: Leads shall meet MIL-STD-202G, Method 208H for solderability.
2. Flammability: UL94V-0
3. ASTM oxygen index: > 28%
4. UL Recognized Component: File Number E165866
5. Operating Temperature Range: All listed parameters are to be within tolerance from -40°C to +85°C
6. Storage Temperature Range: -55°C to +125°C
7. Aqueous wash compatible
8. Electrical and mechanical specifications 100% tested
9. RoHS Compliant Component

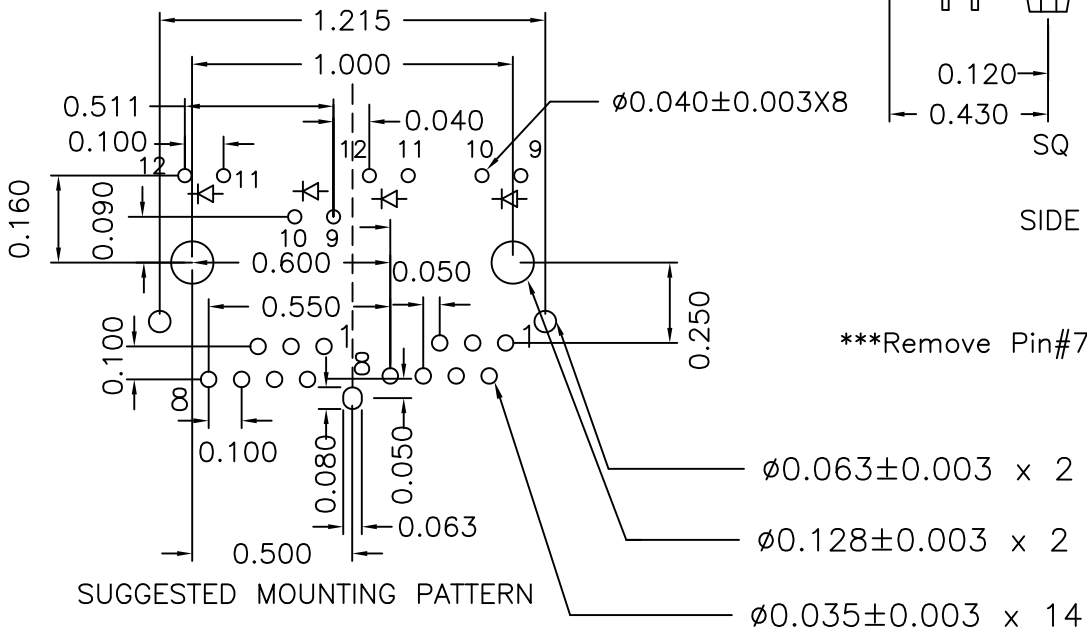
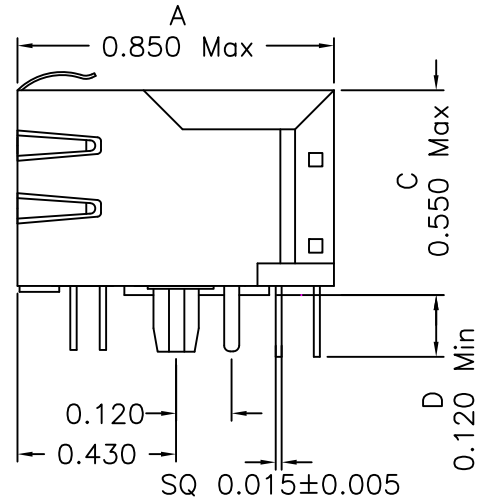
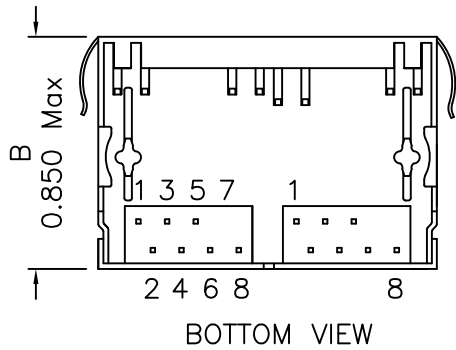
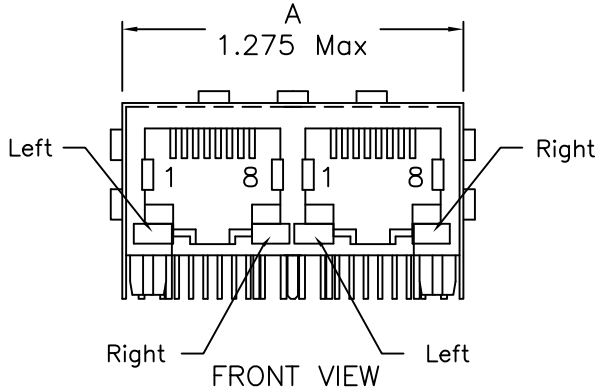
XFMRs Inc.		Title:	
www.XFMRs.com		DUAL PORT 10/100 BASE-T COMBO	
UNLESS OTHERWISE SPECIFIED		P/N: XFATM9-CLxu2-4MS	REV. A
TOLERANCES:		DWN.	Yuan
.xxx ±0.010		CHK.	YK Liao
Dimensions in Inch		APP.	BSJ
SHEET 1 OF 2			Oct-09-13

DOC. REV: A/9

PROPRIETARY:

Document is the property of XFMRs Group & is not allowed to be duplicated without authorization.

Mechanical Dimensions: (FOR CLxu2-4MS)



XFMRS Inc.
www.XFMRS.com

Title: **Mechanical Dimensions**
For CLxu2-4MS Series

UNLESS OTHERWISE SPECIFIED
TOLERANCES:
.xxx ±0.010
Dimensions in Inch

P/N:	XFATM9-CLxu2-4MS	REV.	A
DWN.	Yuan		Oct-09-13
CHK.	YK Liao		Oct-09-13
APP.	BSJ		Oct-09-13

DOC REV: A/9

SHEET 2 OF 2

PROPRIETARY:

Document is the property of XFMRS Group & is not allowed to be duplicated without authorization.